

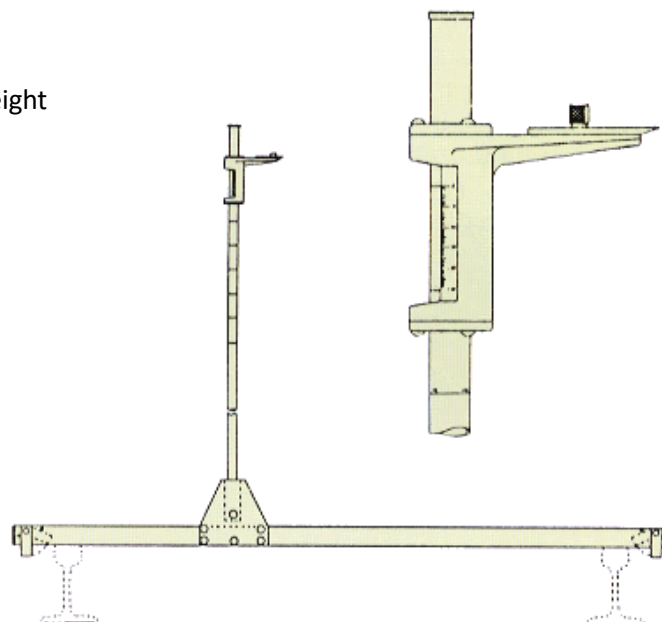
Measuring Instruments for RAIL WAY

OCH-3

Railway OCH-3

OCH-3

Lightweight measuring instrument OCH-3 can measure height of the coupler on the operating rail track.



Features

- Measures the height of the coupler of articulated vehicle.
- Constructed of light weight ridge aluminum is apply to the instrument.
- Measuring rod can be fold for easy carrying.
- Measurement gradation is easy to read with 1mm scale spacing.

Specification

Model	OCH-3
Range of measurement (mm)	700~1100
Line width (mm)	1435 as standard model 1067 as narrow model



SHINYEI TECHNOLOGY CO., LTD.

Tsukuba Office B47-11, Katoridai, Tsukuba, Ibaraki, 300-2657, JAPAN

Tel: +81-29-848-3571 FAX: +81-29-848-3572

International Sales Office

Shinyei BLDG. 5F, 77-1 Kyomachi, Chuo-ku, Kobe 651-0178, JAPAN

Tel: +81-78-392-6903 FAX: +81-78-332-1619